



**COMMONWEALTH OF KENTUCKY
TRANSPORTATION CABINET**

Frankfort, Kentucky 40622
www.transportation.ky.gov/

Matthew G. Bevin
Governor

Greg Thomas
Secretary

March 13, 2019

CALL NO. 206
CONTRACT ID NO. 195071
ADDENDUM # 1

Subject: BATH-FLEMING-GREENUP COUNTIES, 121GR19D071-STP
Letting March 22, 2019

- (1) Revised - Material Summary - Pages 234-239 of 286
- (2) Revised - Proposal Bid Items - Pages 283-286 of 286
- (3) Added - Special Notes - Pages 1-8 of 8
- (4) Revised - Plan Sheets - S5 and S6

Proposal revisions are available at <http://transportation.ky.gov/Construction-Procurement/>.

If you have any questions, please contact us at 502-564-3500.

Sincerely,

A handwritten signature in cursive script that reads "Rachel Mills".

Rachel Mills, P.E.
Director
Division of Construction Procurement

RM:mr
Enclosures



An Equal Opportunity Employer M/F/D

MATERIAL SUMMARY

CONTRACT ID: 195071

121GR19D071-STP

BR00611061970

KY 1106 ADDRESS DEFICIENCIES OF KY-1106 BRIDGE OVER FLAT CREEK (006B00069N), FROM MP 3.291 TO MP 3.327 BRIDGE REPAIRS, A DISTANCE OF .04 MILES.

Project Line No	Bid Code	DESCRIPTION	Quantity	Unit
0005	03304	BRIDGE OVERLAY APPROACH PAVEMENT	261.00	SQYD
0010	01982	DELINEATOR FOR GUARDRAIL MONO DIRECTIONAL WHITE	4.00	EACH
0015	02223	GRANULAR EMBANKMENT	20.00	CUYD
0020	02351	GUARDRAIL-STEEL W BEAM-S FACE	107.50	LF
0025	02355	GUARDRAIL-STEEL W BEAM-S FACE A	100.00	LF
0030	02360	GUARDRAIL TERMINAL SECTION NO 1	1.00	EACH
0035	02671	PORTABLE CHANGEABLE MESSAGE SIGN	2.00	EACH
0040	02650	MAINTAIN & CONTROL TRAFFIC	1.00	LS
0045	03299	ARMORED EDGE FOR CONCRETE	54.00	LF
0050	08003	FOUNDATION PREPARATION	1.00	LS
0055	08019	CYCLOPEAN STONE RIP RAP	532.00	TON
0060	08104	CONCRETE-CLASS AA	80.00	CUYD
0065	08151	STEEL REINFORCEMENT-EPOXY COATED	25,283.00	LB
0070	08301	REMOVE SUPERSTRUCTURE	1.00	LS
0075	08624	PRECAST PC BOX BEAM CB27-36	1,703.00	LF
0080	08801	GUARDRAIL-STEEL W BEAM-S FACE BR	382.00	LF
0085	21415ND	EROSION CONTROL	1.00	LS
0090	22146EN	CONCRETE PATCHING REPAIR	13.00	SQFT
0095	24982EC	CONCRETE COATING - Approx. 3937 SF	1.00	LS
0100	02569	DEMOBILIZATION	1.00	LS
0105	02568	MOBILIZATION - (006B00069N) (ADDED: 3-13-19)	1.00	LS

MATERIAL SUMMARY

CONTRACT ID: 195071

121GR19D071-STP

BR03501111972

KY 111 ADDRESS DEFICIENCIES OF BRIDGE OVER ALLISON CREEK ON KY 111 (035B00016N), FROM MP 11.84 TO MP 11.86 BRIDGE SUPERSTRUCTURE REPLACEMENT, A DISTANCE OF .02 MILES.

Project Line No	Bid Code	DESCRIPTION	Quantity	Unit
0110	02223	GRANULAR EMBANKMENT	28.00	CUYD
0115	02355	GUARDRAIL-STEEL W BEAM-S FACE A	100.00	LF
0120	02360	GUARDRAIL TERMINAL SECTION NO 1	1.00	EACH
0125	02399	EXTRA LENGTH GUARDRAIL POST	24.00	EACH
0130	02650	MAINTAIN & CONTROL TRAFFIC	1.00	LS
0135	02671	PORTABLE CHANGEABLE MESSAGE SIGN	2.00	EACH
0140	03299	ARMORED EDGE FOR CONCRETE	44.00	LF
0145	03304	BRIDGE OVERLAY APPROACH PAVEMENT	230.00	SQYD
0150	21415ND	EROSION CONTROL	1.00	LS
0155	08003	FOUNDATION PREPARATION	1.00	LS
0160	08019	CYCLOPEAN STONE RIP RAP	23.00	TON
0165	08104	CONCRETE-CLASS AA	19.00	CUYD
0170	08150	STEEL REINFORCEMENT	100.00	LB
0175	08151	STEEL REINFORCEMENT-EPOXY COATED	1,900.00	LB
0180	08301	REMOVE SUPERSTRUCTURE	1.00	LS
0185	08621	PRECAST PC BOX BEAM B27-36	88.00	LF
0190	08664	PRECAST PC BOX BEAM CB27-48	176.00	LF
0195	08801	GUARDRAIL-STEEL W BEAM-S FACE BR	88.00	LF
0200	22146EN	CONCRETE PATCHING REPAIR	15.00	SQFT
0205	23744EC	EPOXY INJECTION CRACK REPAIR	20.00	LF
0210	24982EC	CONCRETE COATING - Approx. 1020 SF	1.00	LS
0215	02569	DEMOBILIZATION	1.00	LS
0220	02568	MOBILIZATION - (035B00016N) (ADDED: 3-13-19)	1.00	LS

MATERIAL SUMMARY

CONTRACT ID: 195071

121GR19D071-STP

BR03503671982

KY 367 ADDRESS DEFICIENCIES OF KY 367 BRIDGE OVER JOHNSON CREEK 9035B00074N), FROM MP .999 TO MP 1.007 BRIDGE SUPERSTRUCTURE REHAB, A DISTANCE OF .01 MILES.

Project Line No	Bid Code	DESCRIPTION	Quantity	Unit
0225	02223	GRANULAR EMBANKMENT	28.00	CUYD
0230	02355	GUARDRAIL-STEEL W BEAM-S FACE A	100.00	LF
0235	02371	GUARDRAIL END TREATMENT TYPE 7	2.00	EACH
0240	02399	EXTRA LENGTH GUARDRAIL POST	24.00	EACH
0245	02650	MAINTAIN & CONTROL TRAFFIC	1.00	LS
0250	02671	PORTABLE CHANGEABLE MESSAGE SIGN	2.00	EACH
0255	03304	BRIDGE OVERLAY APPROACH PAVEMENT	235.00	SQYD
0260	21415ND	EROSION CONTROL	1.00	LS
0265	03299	ARMORED EDGE FOR CONCRETE	44.00	LF
0270	08019	CYCLOPEAN STONE RIP RAP	25.00	TON
0275	08150	STEEL REINFORCEMENT	100.00	LB
0280	08151	STEEL REINFORCEMENT-EPOXY COATED	2,000.00	LB
0285	08301	REMOVE SUPERSTRUCTURE	1.00	LS
0290	08624	PRECAST PC BOX BEAM CB27-36	92.00	LF
0295	08104	CONCRETE-CLASS AA	20.00	CUYD
0300	08664	PRECAST PC BOX BEAM CB27-48	184.00	LF
0305	08801	GUARDRAIL-STEEL W BEAM-S FACE BR	92.00	LF
0310	08003	FOUNDATION PREPARATION	1.00	LS
0315	22146EN	CONCRETE PATCHING REPAIR	24.00	SQFT
0320	24982EC	CONCRETE COATING - Approx. 1030 SF	1.00	LS
0325	02569	DEMOBILIZATION	1.00	LS
0330	02568	MOBILIZATION - (035B00074N) (ADDED: 3-13-19)	1.00	LS

MATERIAL SUMMARY

CONTRACT ID: 195071

121GR19D071-STP

BR03525081902

KY-2508 ADDRESS DEFICIENCIES OF KY 2508 BRIDGE OVER TOWN BRANCH. (035B00030N) BRIDGE SUPERSTRUCTURE REHAB, A DISTANCE OF .01 MILES.

Project Line No	Bid Code	DESCRIPTION	Quantity	Unit
0580	02223	GRANULAR EMBANKMENT	28.00	CUYD
0585	02360	GUARDRAIL TERMINAL SECTION NO 1	4.00	EACH
0590	02650	MAINTAIN & CONTROL TRAFFIC	1.00	LS
0595	02671	PORTABLE CHANGEABLE MESSAGE SIGN	2.00	EACH
0600	03304	BRIDGE OVERLAY APPROACH PAVEMENT	156.00	SQYD
0605	08003	FOUNDATION PREPARATION	1.00	LS
0610	08104	CONCRETE-CLASS AA	33.00	CUYD
0615	08150	STEEL REINFORCEMENT	100.00	LB
0620	08151	STEEL REINFORCEMENT-EPOXY COATED	12,000.00	LB
0625	08301	REMOVE SUPERSTRUCTURE	1.00	LS
0630	08801	GUARDRAIL-STEEL W BEAM-S FACE BR	62.00	LF
0635	22146EN	CONCRETE PATCHING REPAIR	6.00	SQFT
0640	23744EC	EPOXY INJECTION CRACK REPAIR	52.00	LF
0645	24982EC	CONCRETE COATING - Approximately 883 SF	1.00	LS
0650	02569	DEMOBILIZATION	1.00	LS
0655	02568	MOBILIZATION - (035B00030N) (ADDED: 3-13-19)	1.00	LS
0660	03299	ARMORED EDGE FOR CONCRETE - (ADDED: 3-13-19)	58.00	LF

MATERIAL SUMMARY

CONTRACT ID: 195071

121GR19D071-STP

BR04510011976

MUSKETEER LANE ADDRESS DEFICIENCIES OF MUSKETEER DRIVE BRIDGE OVER SLASH BRANCH (045C00150N), FROM MP .055 TO MP .059 BRIDGE REPLACEMENT, A DISTANCE OF .01 MILES.

Project Line No	Bid Code	DESCRIPTION	Quantity	Unit
0450	02223	GRANULAR EMBANKMENT	99.00	CUYD
0455	02351	GUARDRAIL-STEEL W BEAM-S FACE	25.00	LF
0460	02355	GUARDRAIL-STEEL W BEAM-S FACE A	115.00	LF
0465	02360	GUARDRAIL TERMINAL SECTION NO 1	2.00	EACH
0470	02371	GUARDRAIL END TREATMENT TYPE 7	2.00	EACH
0475	02545	CLEARING AND GRUBBING - Less than 1 acre	1.00	LS
0480	02650	MAINTAIN & CONTROL TRAFFIC	1.00	LS
0485	02671	PORTABLE CHANGEABLE MESSAGE SIGN	2.00	EACH
0490	02726	STAKING	1.00	LS
0495	02731	REMOVE STRUCTURE	1.00	LS
0500	03299	ARMORED EDGE FOR CONCRETE	48.00	LF
0505	03304	BRIDGE OVERLAY APPROACH PAVEMENT	149.50	SQYD
0510	08003	FOUNDATION PREPARATION	1.00	LS
0515	08019	CYCLOPEAN STONE RIP RAP	370.00	TON
0520	08033	TEST PILES	168.00	LF
0525	08046	PILES-STEEL HP12X53	504.00	LF
0530	08094	PILE POINTS-12 IN	8.00	EACH
0535	08100	CONCRETE-CLASS A	25.00	CUYD
0540	08104	CONCRETE-CLASS AA	20.00	CUYD
0545	08151	STEEL REINFORCEMENT-EPOXY COATED	4,861.00	LB
0550	08662	PRECAST PC BOX BEAM CB17-48	273.00	LF
0555	08801	GUARDRAIL-STEEL W BEAM-S FACE BR	81.00	LF
0560	21415ND	EROSION CONTROL	1.00	LS
0565	24982EC	CONCRETE COATING - Approx 237 SF	1.00	LS
0570	02569	DEMOBILIZATION	1.00	LS
0575	02568	MOBILIZATION - (045C00150N) (ADDED:3-13-19)	1.00	LS

MATERIAL SUMMARY

CONTRACT ID: 195071

121GR19D071-STP

BR04540411974

WILLIAMS AVE (4041) ADDRESS DEFICIENCIES OF BRIDGE OVER POND RUN ON WILLIAMS AVE (CS 4041) IN RACELAND 250 FT NW OF POND RUN ROAD (CS 4001) (045C00119N) BRIDGE SUPERSTRUCTURE REHAB, A DISTANCE OF .02 MILES.

Project Line No	Bid Code	DESCRIPTION	Quantity	Unit
0335	02223	GRANULAR EMBANKMENT	28.00	CUYD
0340	02355	GUARDRAIL-STEEL W BEAM-S FACE A	62.50	LF
0345	02360	GUARDRAIL TERMINAL SECTION NO 1	3.00	EACH
0350	02371	GUARDRAIL END TREATMENT TYPE 7	1.00	EACH
0355	02399	EXTRA LENGTH GUARDRAIL POST	8.00	EACH
0360	02650	MAINTAIN & CONTROL TRAFFIC	1.00	LS
0365	02671	PORTABLE CHANGEABLE MESSAGE SIGN	2.00	EACH
0370	03304	BRIDGE OVERLAY APPROACH PAVEMENT	200.00	SQYD
0375	21415ND	EROSION CONTROL	1.00	LS
0380	24845EC	UTILITY COORDINATION	1.00	LS
0385	03299	ARMORED EDGE FOR CONCRETE	40.00	LF
0390	08100	CONCRETE-CLASS A	.50	CUYD
0395	08104	CONCRETE-CLASS AA	15.50	CUYD
0400	08150	STEEL REINFORCEMENT	850.00	LB
0405	08151	STEEL REINFORCEMENT-EPOXY COATED	1,550.00	LB
0410	08301	REMOVE SUPERSTRUCTURE	1.00	LS
0415	08662	PRECAST PC BOX BEAM CB17-48	200.00	LF
0420	08801	GUARDRAIL-STEEL W BEAM-S FACE BR	80.00	LF
0425	08003	FOUNDATION PREPARATION	1.00	LS
0430	22146EN	CONCRETE PATCHING REPAIR	16.00	SQFT
0435	24982EC	CONCRETE COATING - Approximately 410 SF	1.00	LS
0440	02569	DEMOBILIZATION	1.00	LS
0445	02568	MOBILIZATION - (045C00119N) (ADDED: 3-13-19)	1.00	LS

PROPOSAL BID ITEMS

195071

Page 1 of 4

Report Date 3/13/19

Section: 0001 - BRIDGE-035B00030N

LINE	BID CODE	ALT	DESCRIPTION	QUANTITY	UNIT	UNIT PRIC	FP	AMOUNT
0010	02223		GRANULAR EMBANKMENT	28.00	CUYD		\$	
0020	02360		GUARDRAIL TERMINAL SECTION NO 1	4.00	EACH		\$	
0030	02650		MAINTAIN & CONTROL TRAFFIC	1.00	LS		\$	
0040	02671		PORTABLE CHANGEABLE MESSAGE SIGN	2.00	EACH		\$	
0045	03299		ARMORED EDGE FOR CONCRETE (ADDED: 3-13-19)	58.00	LF		\$	
0050	03304		BRIDGE OVERLAY APPROACH PAVEMENT	156.00	SQYD		\$	
0060	08003		FOUNDATION PREPARATION	1.00	LS		\$	
0070	08104		CONCRETE-CLASS AA	33.00	CUYD		\$	
0080	08150		STEEL REINFORCEMENT	100.00	LB		\$	
0090	08151		STEEL REINFORCEMENT-EPOXY COATED	12,000.00	LB		\$	
0100	08301		REMOVE SUPERSTRUCTURE	1.00	LS		\$	
0110	08801		GUARDRAIL-STEEL W BEAM-S FACE BR	62.00	LF		\$	
0120	22146EN		CONCRETE PATCHING REPAIR	6.00	SQFT		\$	
0130	23744EC		EPOXY INJECTION CRACK REPAIR	52.00	LF		\$	
0140	24982EC		CONCRETE COATING Approximately 883 SF	1.00	LS		\$	

Section: 0002 - BRIDGE-006B00069N

LINE	BID CODE	ALT	DESCRIPTION	QUANTITY	UNIT	UNIT PRIC	FP	AMOUNT
0150	01982		DELINEATOR FOR GUARDRAIL MONO DIRECTIONAL WHITE	4.00	EACH		\$	
0160	02223		GRANULAR EMBANKMENT	20.00	CUYD		\$	
0170	02351		GUARDRAIL-STEEL W BEAM-S FACE	107.50	LF		\$	
0180	02355		GUARDRAIL-STEEL W BEAM-S FACE A	100.00	LF		\$	
0190	02360		GUARDRAIL TERMINAL SECTION NO 1	1.00	EACH		\$	
0200	02650		MAINTAIN & CONTROL TRAFFIC	1.00	LS		\$	
0210	02671		PORTABLE CHANGEABLE MESSAGE SIGN	2.00	EACH		\$	
0220	03299		ARMORED EDGE FOR CONCRETE	54.00	LF		\$	
0230	03304		BRIDGE OVERLAY APPROACH PAVEMENT	261.00	SQYD		\$	
0240	08003		FOUNDATION PREPARATION	1.00	LS		\$	
0250	08019		CYCLOPEAN STONE RIP RAP	532.00	TON		\$	
0260	08104		CONCRETE-CLASS AA	80.00	CUYD		\$	
0270	08151		STEEL REINFORCEMENT-EPOXY COATED	25,283.00	LB		\$	
0280	08301		REMOVE SUPERSTRUCTURE	1.00	LS		\$	
0290	08624		PRECAST PC BOX BEAM CB27-36	1,703.00	LF		\$	
0300	08801		GUARDRAIL-STEEL W BEAM-S FACE BR	382.00	LF		\$	
0310	21415ND		EROSION CONTROL	1.00	LS		\$	
0320	22146EN		CONCRETE PATCHING REPAIR	13.00	SQFT		\$	
0330	24982EC		CONCRETE COATING Approx. 3937 SF	1.00	LS		\$	

Section: 0003 - BRIDGE - 035B00016N

LINE	BID CODE	ALT	DESCRIPTION	QUANTITY	UNIT	UNIT PRIC	FP	AMOUNT
------	----------	-----	-------------	----------	------	-----------	----	--------

PROPOSAL BID ITEMS

195071

Page 2 of 4

Report Date 3/13/19

LINE	BID CODE	ALT	DESCRIPTION	QUANTITY	UNIT	UNIT PRIC	FP	AMOUNT
0340	02223		GRANULAR EMBANKMENT	28.00	CUYD		\$	
0350	02355		GUARDRAIL-STEEL W BEAM-S FACE A	100.00	LF		\$	
0360	02360		GUARDRAIL TERMINAL SECTION NO 1	1.00	EACH		\$	
0370	02399		EXTRA LENGTH GUARDRAIL POST	24.00	EACH		\$	
0380	02650		MAINTAIN & CONTROL TRAFFIC	1.00	LS		\$	
0390	02671		PORTABLE CHANGEABLE MESSAGE SIGN	2.00	EACH		\$	
0400	03299		ARMORED EDGE FOR CONCRETE	44.00	LF		\$	
0410	03304		BRIDGE OVERLAY APPROACH PAVEMENT	230.00	SQYD		\$	
0420	08003		FOUNDATION PREPARATION	1.00	LS		\$	
0430	08019		CYCLOPEAN STONE RIP RAP	23.00	TON		\$	
0440	08104		CONCRETE-CLASS AA	19.00	CUYD		\$	
0450	08150		STEEL REINFORCEMENT	100.00	LB		\$	
0460	08151		STEEL REINFORCEMENT-EPOXY COATED	1,900.00	LB		\$	
0470	08301		REMOVE SUPERSTRUCTURE	1.00	LS		\$	
0480	08621		PRECAST PC BOX BEAM B27-36	88.00	LF		\$	
0490	08664		PRECAST PC BOX BEAM CB27-48	176.00	LF		\$	
0500	08801		GUARDRAIL-STEEL W BEAM-S FACE BR	88.00	LF		\$	
0510	21415ND		EROSION CONTROL	1.00	LS		\$	
0520	22146EN		CONCRETE PATCHING REPAIR	15.00	SQFT		\$	
0530	23744EC		EPOXY INJECTION CRACK REPAIR	20.00	LF		\$	
0540	24982EC		CONCRETE COATING Approx. 1020 SF	1.00	LS		\$	

Section: 0004 - BRIDGE - 035B00074N

LINE	BID CODE	ALT	DESCRIPTION	QUANTITY	UNIT	UNIT PRIC	FP	AMOUNT
0550	02223		GRANULAR EMBANKMENT	28.00	CUYD		\$	
0560	02355		GUARDRAIL-STEEL W BEAM-S FACE A	100.00	LF		\$	
0570	02371		GUARDRAIL END TREATMENT TYPE 7	2.00	EACH		\$	
0580	02399		EXTRA LENGTH GUARDRAIL POST	24.00	EACH		\$	
0590	02650		MAINTAIN & CONTROL TRAFFIC	1.00	LS		\$	
0600	02671		PORTABLE CHANGEABLE MESSAGE SIGN	2.00	EACH		\$	
0610	03299		ARMORED EDGE FOR CONCRETE	44.00	LF		\$	
0620	03304		BRIDGE OVERLAY APPROACH PAVEMENT	235.00	SQYD		\$	
0630	08003		FOUNDATION PREPARATION	1.00	LS		\$	
0640	08019		CYCLOPEAN STONE RIP RAP	25.00	TON		\$	
0650	08104		CONCRETE-CLASS AA	20.00	CUYD		\$	
0660	08150		STEEL REINFORCEMENT	100.00	LB		\$	
0670	08151		STEEL REINFORCEMENT-EPOXY COATED	2,000.00	LB		\$	
0680	08301		REMOVE SUPERSTRUCTURE	1.00	LS		\$	
0690	08624		PRECAST PC BOX BEAM CB27-36	92.00	LF		\$	
0700	08664		PRECAST PC BOX BEAM CB27-48	184.00	LF		\$	
0710	08801		GUARDRAIL-STEEL W BEAM-S FACE BR	92.00	LF		\$	
0720	21415ND		EROSION CONTROL	1.00	LS		\$	
0730	22146EN		CONCRETE PATCHING REPAIR	24.00	SQFT		\$	
0740	24982EC		CONCRETE COATING Approx. 1030 SF	1.00	LS		\$	

PROPOSAL BID ITEMS

195071

Page 3 of 4

Report Date 3/13/19

Section: 0005 - BRIDGE-045C00150N

LINE	BID CODE	ALT	DESCRIPTION	QUANTITY	UNIT	UNIT PRIC	FP	AMOUNT
0750	02223		GRANULAR EMBANKMENT	99.00	CUYD		\$	
0760	02351		GUARDRAIL-STEEL W BEAM-S FACE	25.00	LF		\$	
0770	02355		GUARDRAIL-STEEL W BEAM-S FACE A	115.00	LF		\$	
0780	02360		GUARDRAIL TERMINAL SECTION NO 1	2.00	EACH		\$	
0790	02371		GUARDRAIL END TREATMENT TYPE 7	2.00	EACH		\$	
0800	02545		CLEARING AND GRUBBING Less than 1 acre	1.00	LS		\$	
0810	02650		MAINTAIN & CONTROL TRAFFIC	1.00	LS		\$	
0820	02671		PORTABLE CHANGEABLE MESSAGE SIGN	2.00	EACH		\$	
0830	02726		STAKING	1.00	LS		\$	
0840	02731		REMOVE STRUCTURE	1.00	LS		\$	
0850	03299		ARMORED EDGE FOR CONCRETE	48.00	LF		\$	
0860	03304		BRIDGE OVERLAY APPROACH PAVEMENT	149.50	SQYD		\$	
0870	08003		FOUNDATION PREPARATION	1.00	LS		\$	
0880	08019		CYCLOPEAN STONE RIP RAP	370.00	TON		\$	
0890	08033		TEST PILES	168.00	LF		\$	
0900	08046		PILES-STEEL HP12X53	504.00	LF		\$	
0910	08094		PILE POINTS-12 IN	8.00	EACH		\$	
0920	08100		CONCRETE-CLASS A	25.00	CUYD		\$	
0930	08104		CONCRETE-CLASS AA	20.00	CUYD		\$	
0940	08151		STEEL REINFORCEMENT-EPOXY COATED	4,861.00	LB		\$	
0950	08662		PRECAST PC BOX BEAM CB17-48	273.00	LF		\$	
0960	08801		GUARDRAIL-STEEL W BEAM-S FACE BR	81.00	LF		\$	
0970	21415ND		EROSION CONTROL	1.00	LS		\$	
0980	24982EC		CONCRETE COATING Approx 237 SF	1.00	LS		\$	

Section: 0006 - BRIDGE - 045C00119N

LINE	BID CODE	ALT	DESCRIPTION	QUANTITY	UNIT	UNIT PRIC	FP	AMOUNT
0990	02223		GRANULAR EMBANKMENT	28.00	CUYD		\$	
1000	02355		GUARDRAIL-STEEL W BEAM-S FACE A	62.50	LF		\$	
1010	02360		GUARDRAIL TERMINAL SECTION NO 1	3.00	EACH		\$	
1020	02371		GUARDRAIL END TREATMENT TYPE 7	1.00	EACH		\$	
1030	02399		EXTRA LENGTH GUARDRAIL POST	8.00	EACH		\$	
1040	02650		MAINTAIN & CONTROL TRAFFIC	1.00	LS		\$	
1050	02671		PORTABLE CHANGEABLE MESSAGE SIGN	2.00	EACH		\$	
1060	03299		ARMORED EDGE FOR CONCRETE	40.00	LF		\$	
1070	03304		BRIDGE OVERLAY APPROACH PAVEMENT	200.00	SQYD		\$	
1080	08003		FOUNDATION PREPARATION	1.00	LS		\$	
1090	08100		CONCRETE-CLASS A	.50	CUYD		\$	
1100	08104		CONCRETE-CLASS AA	15.50	CUYD		\$	
1110	08150		STEEL REINFORCEMENT	850.00	LB		\$	
1120	08151		STEEL REINFORCEMENT-EPOXY COATED	1,550.00	LB		\$	
1130	08301		REMOVE SUPERSTRUCTURE	1.00	LS		\$	
1140	08662		PRECAST PC BOX BEAM CB17-48	200.00	LF		\$	
1150	08801		GUARDRAIL-STEEL W BEAM-S FACE BR	80.00	LF		\$	

PROPOSAL BID ITEMS

195071

Page 4 of 4

Report Date 3/13/19

LINE	BID CODE	ALT	DESCRIPTION	QUANTITY	UNIT	UNIT PRIC	FP	AMOUNT
1160	21415ND		EROSION CONTROL	1.00	LS		\$	
1170	22146EN		CONCRETE PATCHING REPAIR	16.00	SQFT		\$	
1180	24845EC		UTILITY COORDINATION	1.00	LS		\$	
1190	24982EC		CONCRETE COATING Approximately 410 SF	1.00	LS		\$	

Section: 0007 - DEMOBILIZATION &/OR MOBILIZATION

LINE	BID CODE	ALT	DESCRIPTION	QUANTITY	UNIT	UNIT PRIC	FP	AMOUNT
1192	02568		MOBILIZATION (006B00069N) (ADDED: 3-13-19)	1.00	LS		\$	
1193	02568		MOBILIZATION (035B00016N) (ADDED: 3-13-19)	1.00	LS		\$	
1194	02568		MOBILIZATION (035B00074N) (ADDED: 3-13-19)	1.00	LS		\$	
1195	02568		MOBILIZATION (035B00030N) (ADDED: 3-13-19)	1.00	LS		\$	
1196	02568		MOBILIZATION (045C00150N) (ADDED:3-13-19)	1.00	LS		\$	
1197	02568		MOBILIZATION (045C00119N) (ADDED: 3-13-19)	1.00	LS		\$	
1200	02569		DEMOBILIZATION	1.00	LS		\$	

SPECIAL NOTE FOR ADDITIONAL ENVIRONMENTAL COMMITMENTS

Bundle 19.03.07

09-10000.00	Bath	006B00069N
09-1091.00	Fleming	035B00016N
09-10019.00	Fleming	035B00030N
09-10006.00	Fleming	035B00074N
09-1094.00	Greenup	045C00119N
09-10009.00	Greenup	045C00150N

In addition to other environmental commitments listed in this contract, the following commitments also apply:

- 1) The Contractor shall not go beyond the limits specified as “archaeologically cleared” or “Archaeology APE,” and shall avoid areas identified as “Do Not Disturb.” If no limits are shown on the plans, the contractor shall adhere to the stipulations in the project-specific CAP. If there is no CAP, the contractor shall confine construction work to the previously disturbed area within the existing right of way. If the areas outside the cleared areas are intended for use as laydown yards, vehicle parking, or any other activity related to the construction of this project, the Contractor must clear the area for environmental concerns.
- 2) In the event that human remains are encountered during project activities, all work should be immediately stopped in the area. The area should be cordoned off, and, in accordance with KRS 72.020, the county coroner and local law enforcement must be contacted immediately. Upon confirmation that the human remains are not of forensic interest, the unanticipated discovery must be reported to Nicolas Laracuenta at the Kentucky Heritage Council at (502) 892-3614 and George Crothers at the Office of State Archaeology at (859) 257-1944.

For guidance regarding inadvertent discovery and treatment of human remains, refer to the KYTC’s Right of Way Guidance Manual (Section ROW-1202), and the Advisory Council on Historic Preservation’s (ACHP) Policy Statement Regarding Treatment of Human Remains and Grave Goods (adopted by ACHP February 23, 2007).

- 3) If, during the implementation of The Project, a previously unidentified historic/archaeological property is discovered or a previously identified historic/archaeological property is affected in an unanticipated manner, the contractor shall (1) call KYTC DEA archaeologists at (502) 564-7250, (2) call SHPO archaeologists at (502) 892-3614, and (3) ensure that all work within a reasonable area of the discovery shall cease until such time as a treatment plan can be developed and implemented.

Archaeologically Cleared
09-10019.00 Fleming County 035B00030N

9-10019



Project APE.

Archaeologically Cleared
09-10006.00 Fleming County 035B00074N



Project APE.

Archaeologically Cleared
09-1094.00 Greenup County 045C00119N



Project APE.

Archaeologically Cleared
09-10009.00 Greenup County 045C00150N

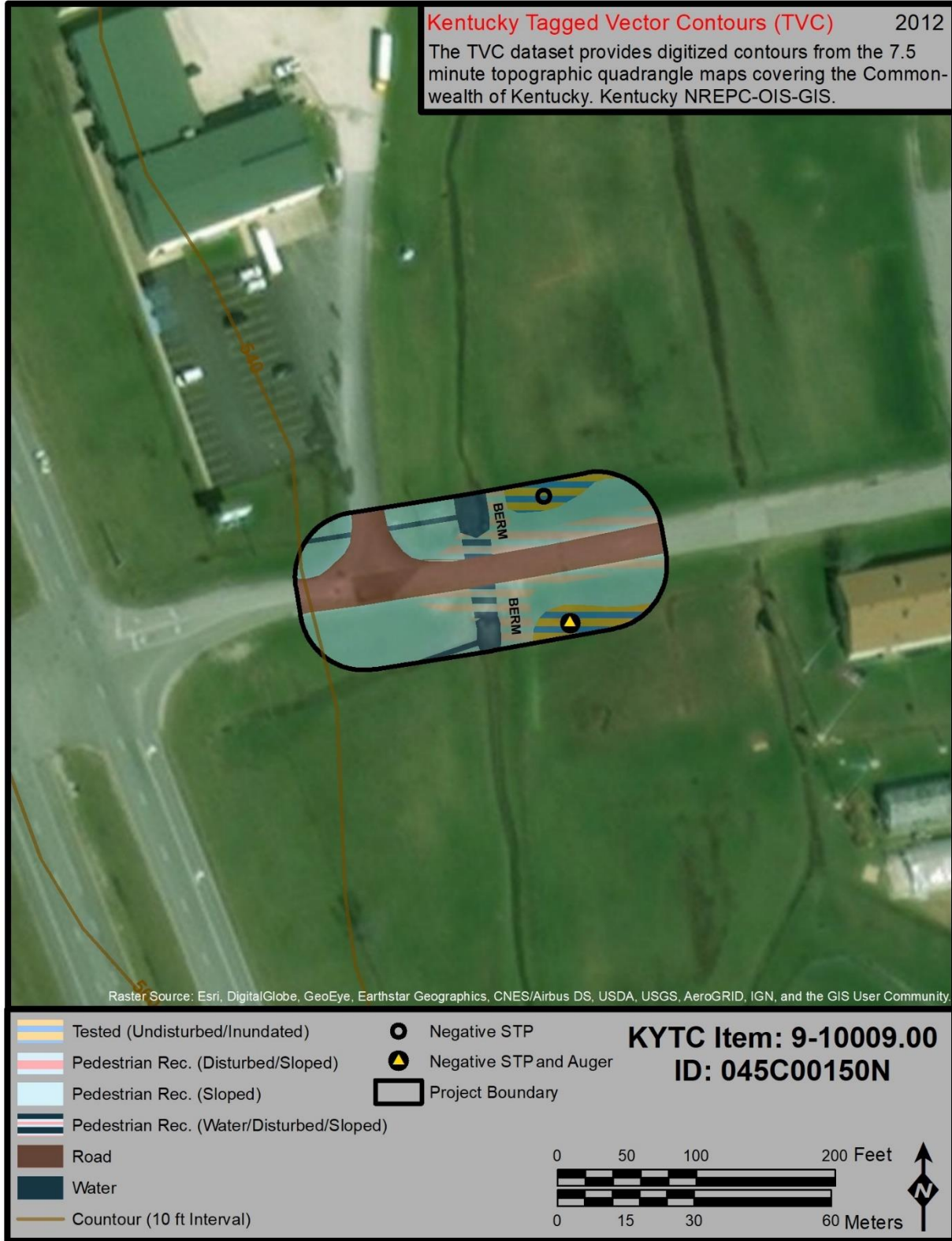


Figure 7. Bridge 045C00150N (Item No. 9-10009) showing project area conditions on aerial map.

Archaeologically Cleared
09-1000.00 Bath County 006B00069N

9-10000



Project APE.

Archaeologically Cleared
09-1091.00 Fleming County 035B00016N



Project APE.

Special Note For Milestone Completions

Progress Milestone Completion

Progress Milestones are set up to ensure a continuous progression of work on the contract and state the number of bridges that must be completed by a specified date. Unless specified elsewhere in the contract, it is the Contractor's decision on which structures to complete by the milestone completion. Refer to Special Note for Liquidated Damages in this proposal. Failure to meet the required completion date for the number of structures will result in the Contractor being charged for Milestone Completion Damages equal to a percentage of the Liquidated Damages, as specified per section 108.09 of the Standard Specification applied at a rate equal to the formula below:

$$\left(\frac{\text{\# of Bridges failed to meet completion requirement}}{\text{Total \# of Bridges}} \right) \times \text{Liquidated Damage Daily Rate}$$

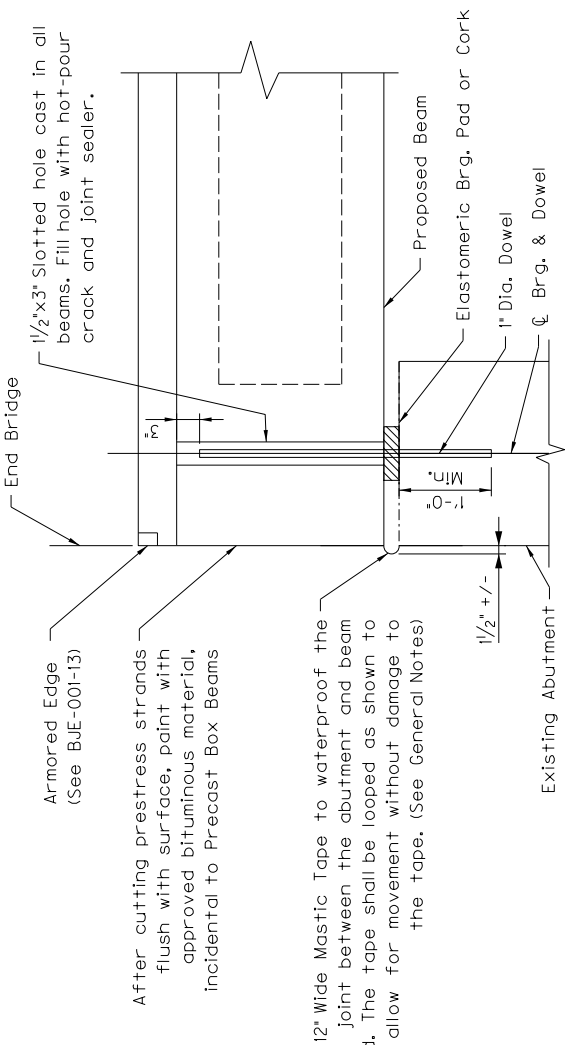
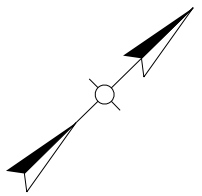
Bridge Specific Milestone Completion

Bridge Specific Milestones are set up for each structure and listed in the Special Note for Liquidated Damages as total days allowed for bridge closure or lane closure. In addition, certain structures may require completion by a specific date or some may not be allowed to be started until a specific date. In the event work is not complete by the specified date or within the specified range on more than one structure, Bridge Specific Milestone Completion Damages will be applied for each structure. Bridge Specific Milestone Completion Damages and the Liquidated Damage rates will be applied cumulatively.

For example, if two structures each allow for only 60 day bridge closures and both bridges are continuing to be worked on with the bridge closed at 61 days, then the Bridge Specific Milestone Completion Damages will be applied twice, once for each bridge. Also, should the Contractor violate both the specified number of days for a closure and the required completion date for that structure, Both Bridge Specific Milestone Completion Damages and Liquidated Damages will be applied cumulatively, for each violation.

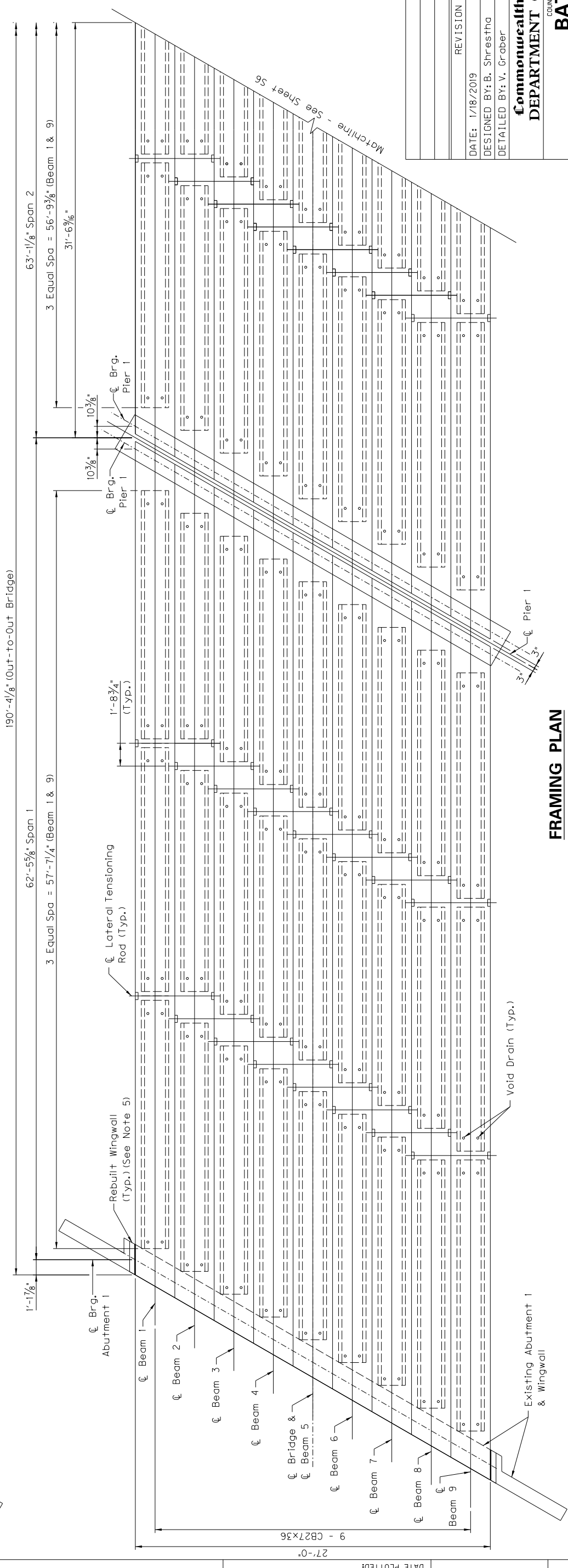
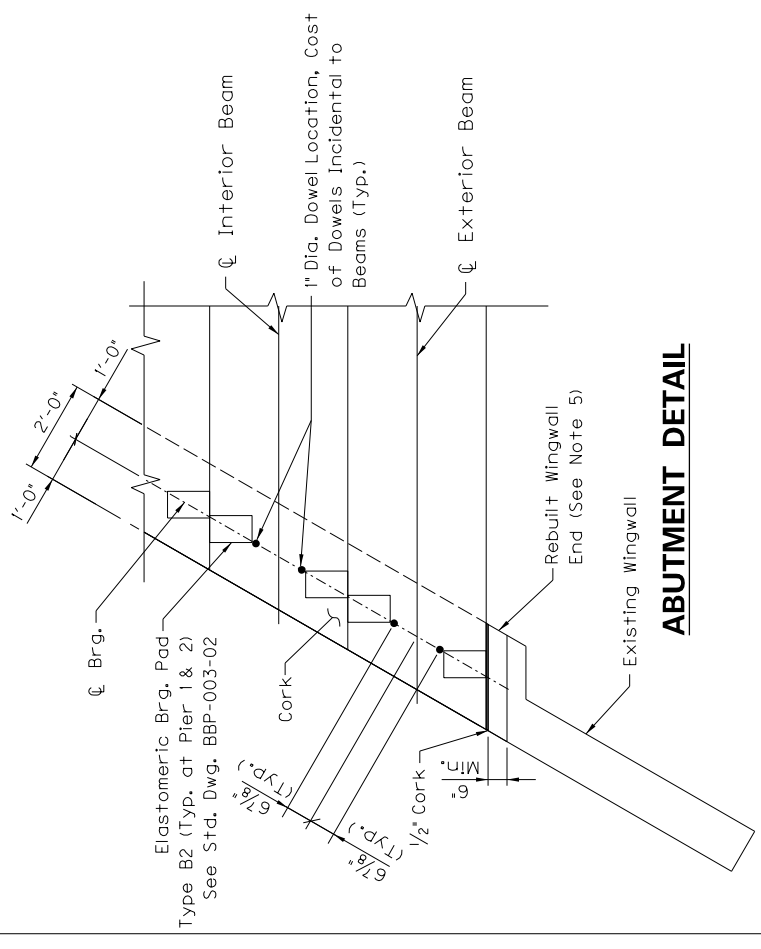
NOTES:

1. For additional Box Beam details, see Std. Dwg. BDP-003-03.
2. For Box Beam Tension Rod details, see Std. Dwg. BDP-004-03.
3. For Elastomeric Bearings, see Std. Dwg. BBP-003-02.
4. Cost of cork pads shall be incidental to beams.
5. Remove and rebuild wingwall ends as needed to replace superstructure. Removal shall occur before new beams are placed and rebuilding shall occur after new beams are placed. Any new concrete placed shall be Class A and reinforced and doweled into existing concrete with #5 rebar at 12" max. spacing in the horizontal and vertical direction on all concrete faces. Dowels shall have 6" minimum embedment into existing concrete and be affixed with non-shrink grout. Cost of all work, including all materials, labor, equipment, tools, and incidentals necessary, shall be considered incidental to Precast Box Beams.



TYPICAL SECTION AT ABUTMENT

ABUTMENT DETAIL

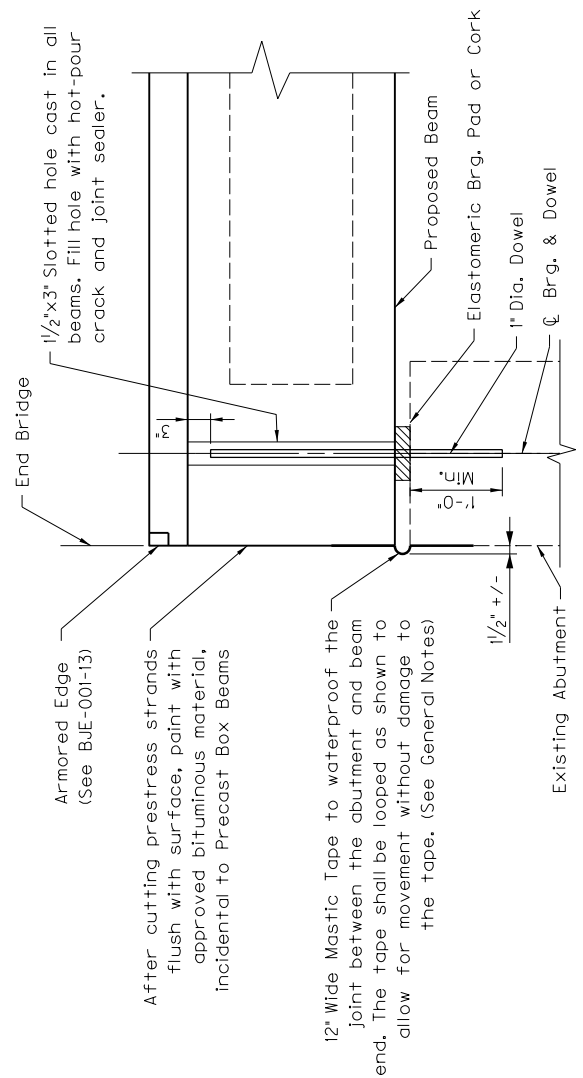
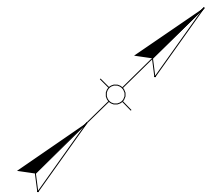


FRAMING PLAN

REVISION	DATE	CHECKED BY	DATE
DESIGNED BY: B. Shrestha	1/18/2019	J. Rhoad-Drogalis	
DETAILED BY: V. Graber		J. Rhoad-Drogalis	
Commonwealth of Kentucky DEPARTMENT OF HIGHWAYS			
COUNTY BATH CROSSING FLAT CREEK			
FRAMING PLAN 1			
ROUTE KY 1106	BRIDGE NUMBER 006B00069N		
PREPARED BY AECOM		SHEET NO. 55 DRAWING NO. 27883	

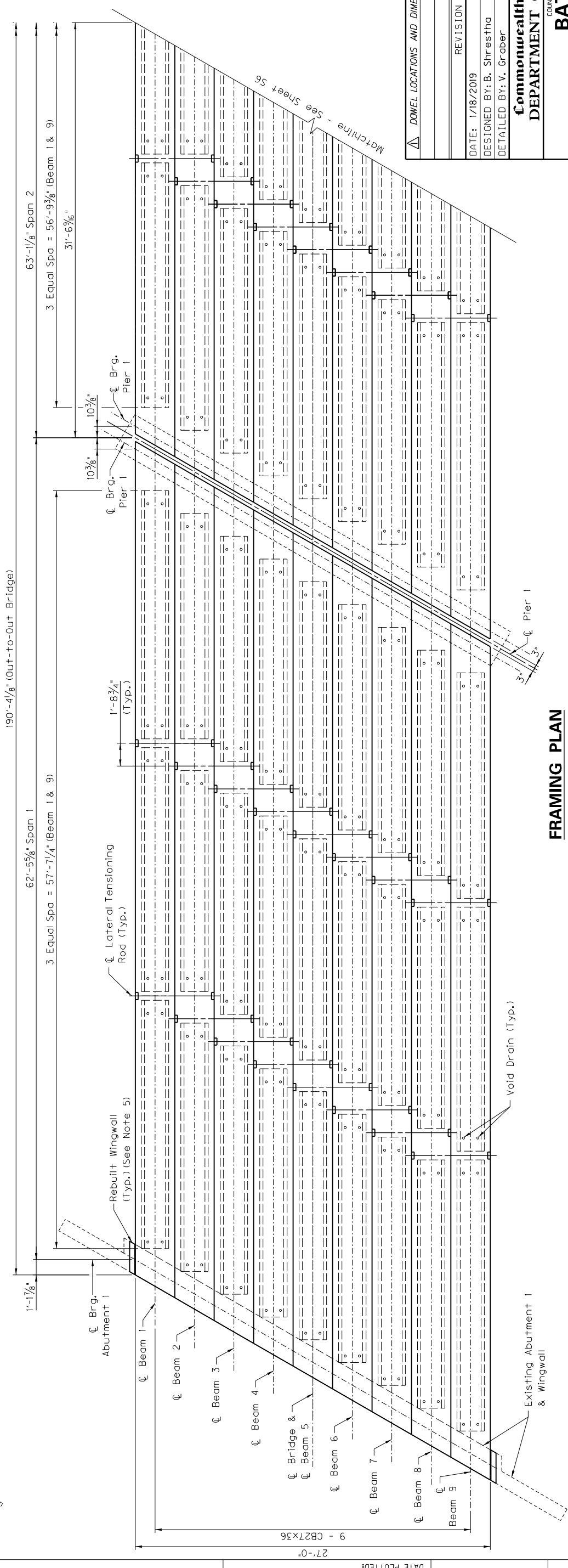
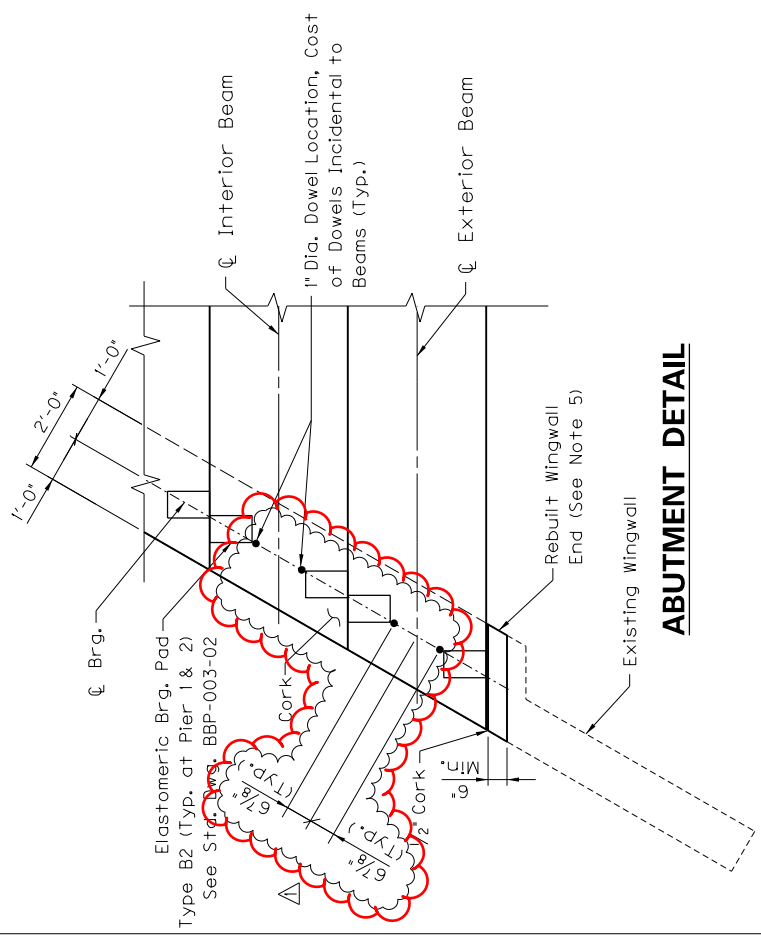
NOTES:

1. For additional Box Beam details, see Std. Dwg. BDP-003-03.
2. For Box Beam Tension Rod details, see Std. Dwg. BDP-004-03.
3. For Elastomeric Bearings, see Std. Dwg. BBP-003-02.
4. Cost of cork pads shall be incidental to beams.
5. Remove and rebuild wingwall ends as needed to replace superstructure. Removal shall occur before new beams are placed and rebuilding shall occur after new beams are placed. Any new concrete placed shall be Class A and reinforced and doweled into existing concrete with #5 rebar at 12" max. spacing in the horizontal and vertical direction on all concrete faces. Dowels shall have 6" minimum embedment into existing concrete and be affixed with non-shrink grout. Cost of all work, including all materials, labor, equipment, tools, and incidentals necessary, shall be considered incidental to Precast Box Beams.



TYPICAL SECTION AT ABUTMENT

ABUTMENT DETAIL

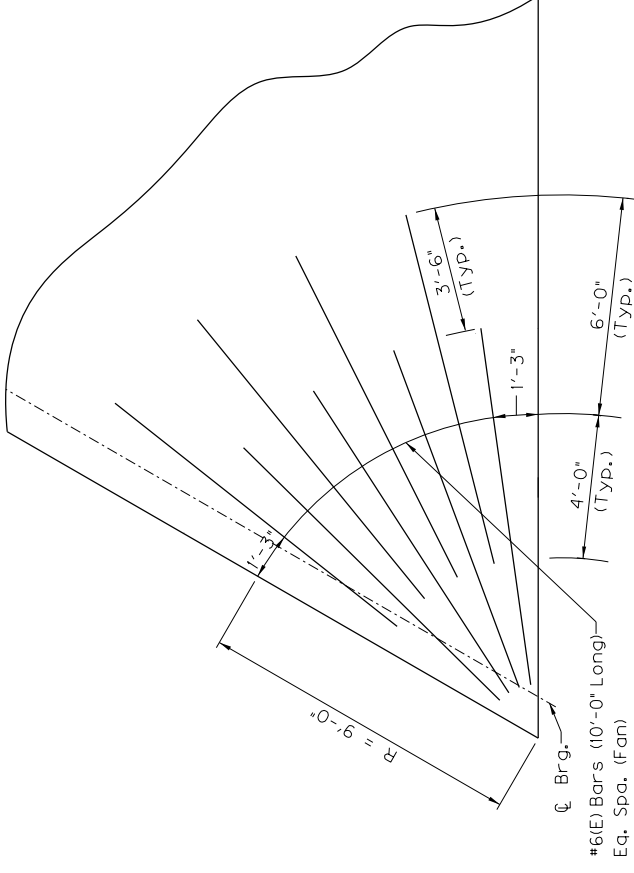


FRAMING PLAN

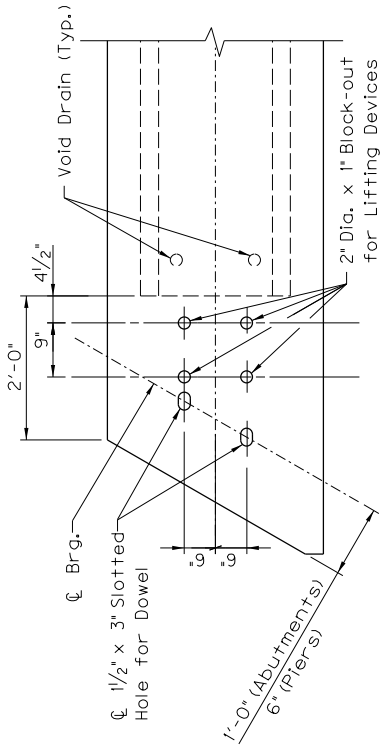
DOWEL LOCATIONS AND DIMENSIONS 3/11/19	
REVISION DATE: 1/18/2019	CHECKED BY J. Rhoad-Drogalis
DESIGNED BY: B. Shrestha DETAILED BY: V. Graber	J. Rhoad-Drogalis
Commonwealth of Kentucky DEPARTMENT OF HIGHWAYS	
COUNTY BATH	
ROUTE KY 1106	CROSSING FLAT CREEK
PREPARED BY FRAMING PLAN 1	
BRIDGE NUMBER 006B00069N	
SHEET NO. 55	
DRAWING NO. 27883	

NOTES:

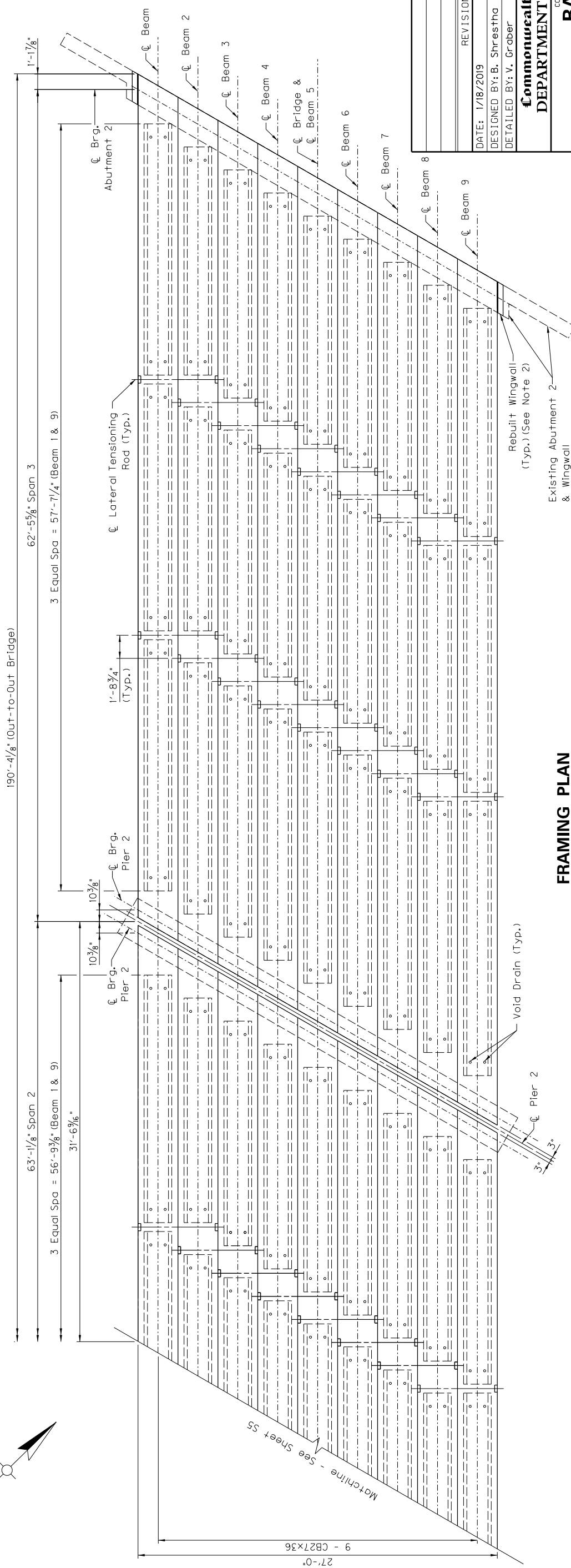
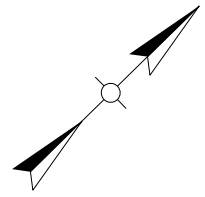
1. Place corner reinforcement beneath the longitudinal and transverse reinforcement in the top of the slab.
2. Remove and rebuild wingwall ends as needed to replace superstructure. Removal shall occur before new beams are placed and rebuilding shall occur after new beams are placed. Any new concrete shall be Class A and reinforced and doweled into existing concrete with #5 rebar at 12" max. spacing in the horizontal and vertical direction on all concrete faces. Dowels shall have 6" non-shrink grout. Cost of all work, including materials, labor, equipment, tools, and incidentals necessary, shall be considered incidental to Precast Box Beams.



ACUTE CORNER SLAB REINFORCEMENT DETAIL
(See Note 1)



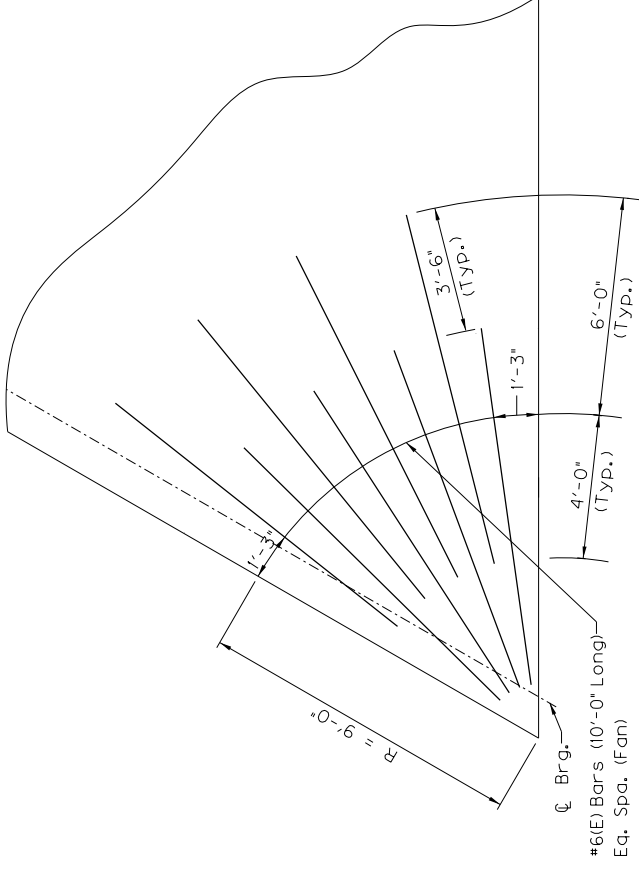
BEAM END DETAIL



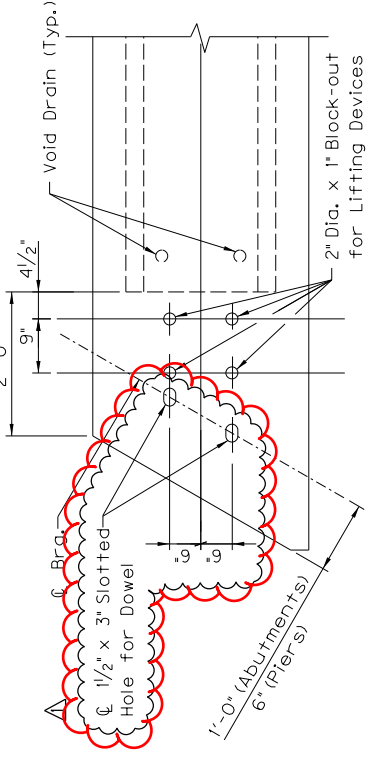
REVISION	DATE
DATE: 1/18/2019	CHECKED BY
DESIGNED BY: B. Shrestha	J. Rhoad-Drogalis
DETAILED BY: V. Graber	J. Rhoad-Drogalis
Commonwealth of Kentucky DEPARTMENT OF HIGHWAYS	
COUNTY BATH	
ROUTE KY 1106	CROSSING FLAT CREEK
FRAMING PLAN 2	
BRIDGE NUMBER	006B00069N
PREPARED BY	AECOM
BRIDGING KENTUCKY	
SHEET NO. 56 DRAWING NO. 27883	

NOTES:

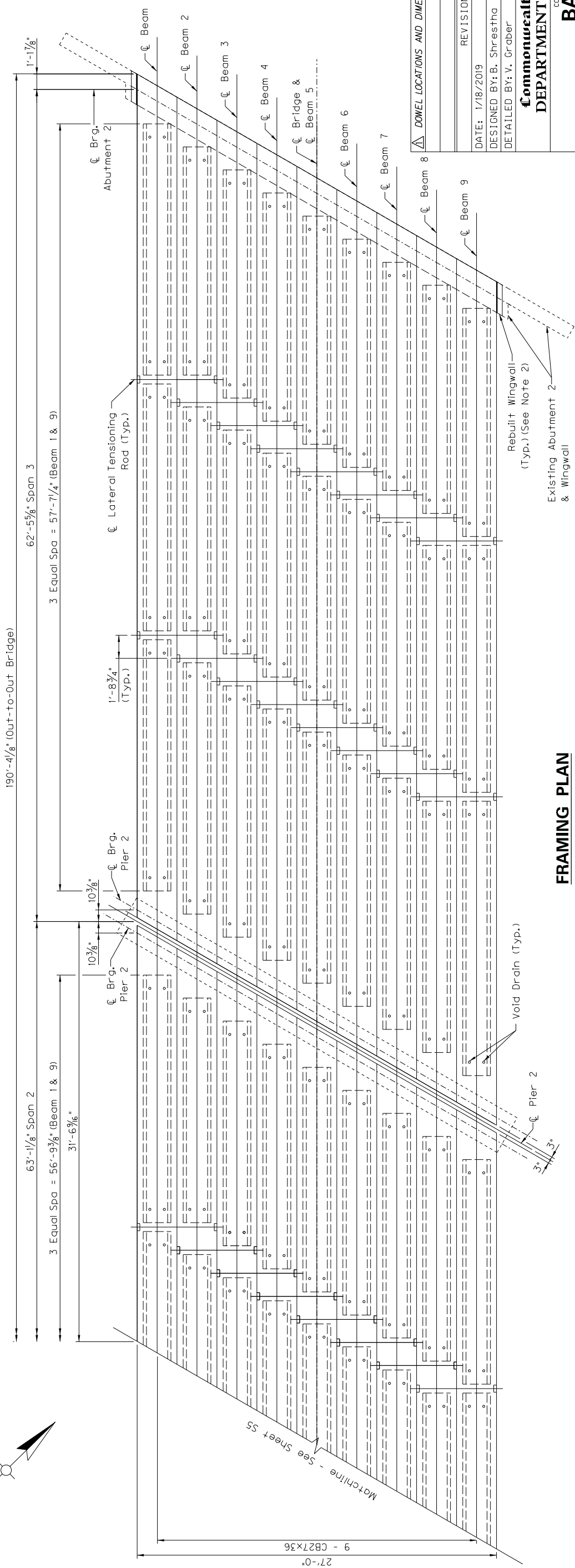
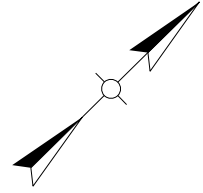
1. Place corner reinforcement beneath the longitudinal and transverse reinforcement in the top of the slab.
2. Remove and rebuild wingwall ends as needed to replace superstructure. Removal shall occur before new beams are placed and rebuilding shall occur after new beams are placed. Any new concrete shall be Class A and reinforced and doweled into existing concrete with #5 rebar at 12" max. spacing in the horizontal and vertical direction on all concrete faces. Dowels shall have 6" non-shrink grout. Cost of all work, including materials, labor, equipment, tools, and incidentals necessary, shall be considered incidental to Precast Box Beams.



ACUTE CORNER SLAB REINFORCEMENT DETAIL
(See Note 1)



BEAM END DETAIL



FRAMING PLAN

DOWEL LOCATIONS AND DIMENSIONS		3/11/19
REVISION	CHECKED BY	DATE
DATE: 1/18/2019	J. Rhoad-Drogalis	
DESIGNED BY: B. Shrestha	J. Rhoad-Drogalis	
DETAILED BY: V. Graber	J. Rhoad-Drogalis	
Commonwealth of Kentucky DEPARTMENT OF HIGHWAYS		
COUNTY BATH		
CROSSING FLAT CREEK		
ROUTE KY 1106		
FRAMING PLAN 2		
PREPARED BY AECOM		
BRIDGE NUMBER 006B00069N		
SHEET NO. 56		
DRAWING NO. 27883		